

# Biometric Full Height Turnstile

FHT2400D: Full Height Turnstile

FHT2411D: Full Height Turnstile with RFID Access Control System

FHT2422D: Full Height Turnstile with Fingerprint and RFID Access Control System

Semi-automatic  
mechanism

Visible indicator

SUS304 stainless  
steel cabinet

Modular design



## Application



Industrial facilities



Corporate security



Government security

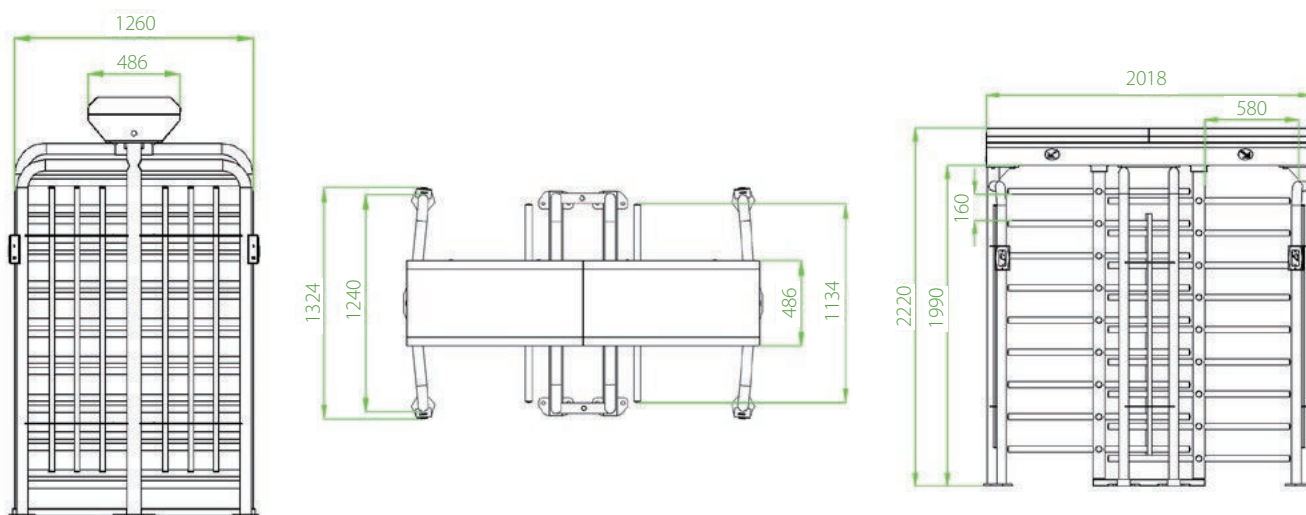


Public transportation

## Specifications

Power Requirements	AC110V/220V, 50/60Hz	
Working Temperature	-28°C to 60°C	
Working Humidity	0% to 95%	
Working Environment	Indoor/ Outdoor	
Speed of Throughput	RFID	Maximum 20/ minute
	Fingerprint	Maximum 15/ minute
Lane Width	580mm	
Footprint (L*W)	2018*1324(mm)	
Dimension (L*W*H)	2018*1324*2220 (mm)	
Net Weight (kg)	Turnstile	161.5kg
	Cabinet	291.5kg
LED Indicator	Supports	
Cabinet Material	SUS304 Stainless Steel	
Barrier Material	SUS304 (optional: SUS316)	
Barrier Movement	Rotating	
Emergency Mode	Supports	
Security Level	High	
MCBF	1 million	
Ingress Protection	IP54	
Warranty	1 year	
Dimension with Packing (L*W*H)	Turnstile	2120*590*440(mm)
	Cabinet	1670*1510*2180(mm)

## Dimensions (mm)



To prevent the corrosion of stainless steel, we recommend not to use in highly corrosive environments, such as sea-side, chemical plants and saline-alkali soils.

