

Swing Barrier Turnstile Installation Guide

Applicable Models: SBTL 2000 / 3000

Version: 1.0

Date: Nov. 2016

Chapter 2 Installation

2.1 Before the installation, it is necessary to check the device first:

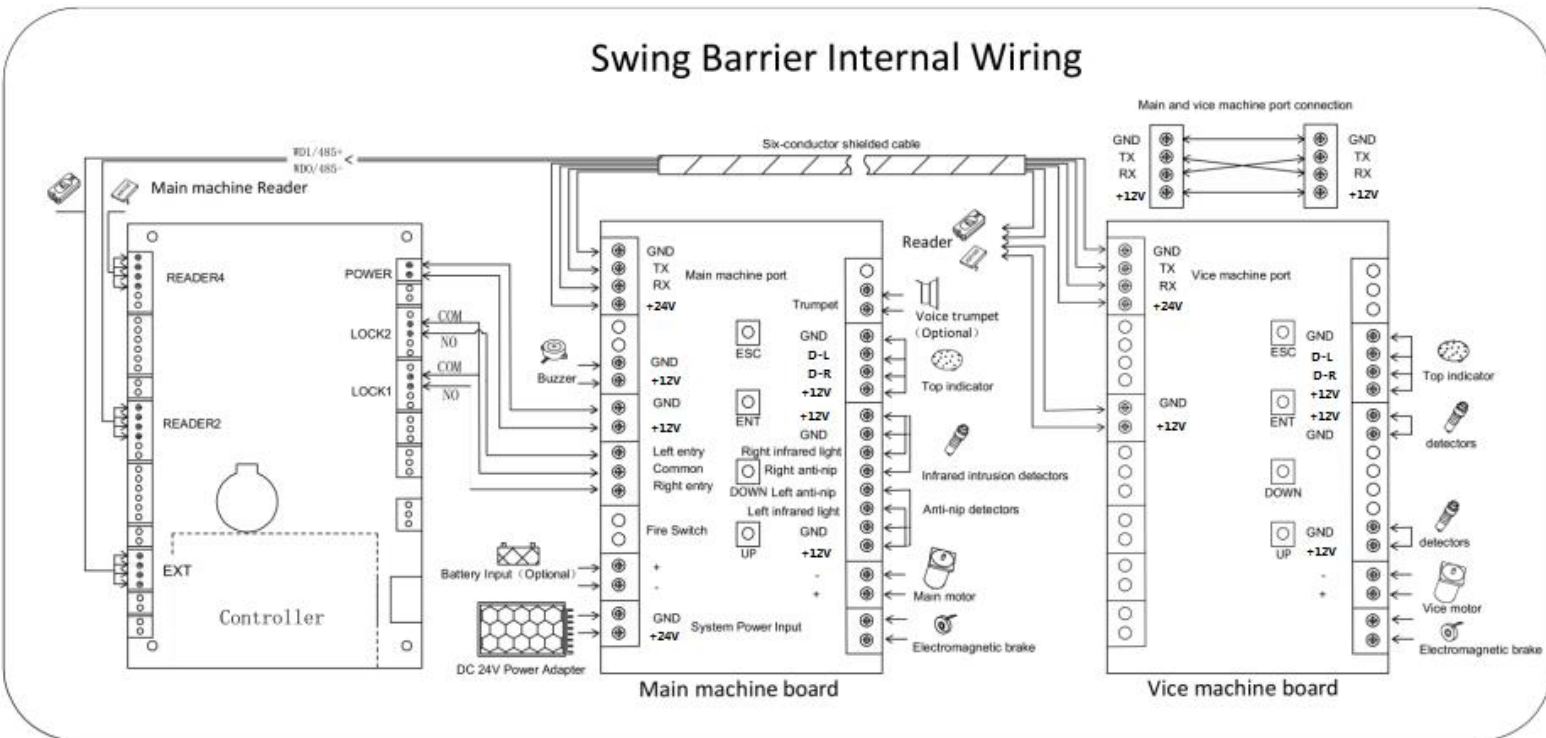
- 1) Connect the wires between master and slave devices.
- 2) Open the air switch to test whether the device is working properly, wait for 10 seconds for the gate to complete self-test program. At the same time check whether the indicator light working properly. If everything is normal, you can start the installation procedures , If an exception occurs, please contact your vendor for information.

2.2 Cables Installation

For the outlets of the concealed cables, please refer to the drawing showing the mounting holes. The input voltage for this swing barrier turnstile is AC100-120V/200-240V and its master and slave are connected by a 6-core cable. When installing this swing barrier turnstile, the user only needs to connect it to the corresponding ports. Note that the PVC conduits are buried 100mm below the ground, with the height of the exposed part more than 100mm.

Chapter 3 Wiring diagram

Check circuit according to the following wiring diagram:



The connection of slave :

Black→ GND , **Green**→TX, **White**→RX, **Red**→+24V

The connection of master :

Black→ GND , **White**→RX, **Green**→TX, **Red**→+24V

The yellow and orange wires are prepared for access control system.

Chapter 4 Menu Instruction

There are 4 keys on the LCD screen, including "UP" , "DOWN", "ENT", and "ESC". "UP" and "DEC" are reset keys, each of which has two functions. When menu operations are not used, "UP" and "DEC" can be used to open the barrier to left or right. **When you press the "ENT" key, the system will prompt you to enter the password, the password is "UP" two times, "DEC" four times, then press "ENT" to enter the menu operation system.**

After the "ENT" key is pressed to enter the menu operation system, "UP" and "DEC" cannot be used to open the barrier to left or right, but used for moving up and down on the menu to select an option.

If the barrier is not in right position, we need to set the position of the barrier

Set barrier position:

- 1: zero position. (the position when the barrier is closed)
- 2: left open position. (the position when the barrier is open to left)
- 3: right open position. (the position when the barrier is open to right)

Methods for setting the zero position of the swing boom: First press "ENT" and the menu is displayed. Then press "UP" to move to Option 7 on the menu. Press "ENT" to make it available for value modification and then press "UP" to set the value to 1. Turn the swing boom to the desired zero position (Perpendicular to the chassis, allowable deviation of 1 degrees). Finally press "ENT" and the system gives a restart prompt. Zero calibration is finished.(restart the machine after setting zero position.)

Procedures for setting the left opening position of the swing boom: First press "ENT" and the menu is displayed. Then press "UP" to move to Option 7 on the menu. Press "ENT" to make it available for value modification and then press "UP" to set the value to 2. Move the swing boom of the gate to the desired position on the left-hand side. Finally press "ENT" and the system will record this position as the left open position.

Procedures for setting the right opening position of the swing boom: First press "ENT" and the menu is displayed. Then press "UP" to move to Option 7 on the menu. Press "ENT" to make it available for value modification and then press "UP" to set the value to 3. Move the swing boom of the gate to the desired position on the right-hand side. Finally press "ENT" and the system will record this position as the right opening position.

Chapter 5 Common failure analysis

Number	Failure phenomena	Analysis and solution
1	Direction indicator no response or indication is not correct.	Check whether the connection to the roof lamp is correct or not.
2	After swipe the card there is only a swing arm action.	Check the type setting and the 6 core connection line of main and auxiliary machine.
3	Barrier opens after a long time without closing.	Check whether the time of the opening is too long.
4	Swing the arm swing at zero position.	This situation may be caused by the thirteenth sets of the menu is too large. to decrease the value of the thirteenth items may solve the problems.
5	"Serious malfunction.Pendulum rod rotation is out of preset range,please do zero correction".	User needs to correct the zero position,left open position and right open position in seventh items.